

MECHANICAL SPECIFICATIONS

FIXTURE (WITH YOKE) BOXED FOR SHIPPING

Dimensions:

mm: 318 x 582 x 605

in: 12.5 x 22.9 x 23.8

Fixture Weight: 22 kg (49 lb)

Shipping Weight: 39 kg (85 lb)

Dimensions:

mm: 480 x 657 x 784

in: 19 x 26 x 31

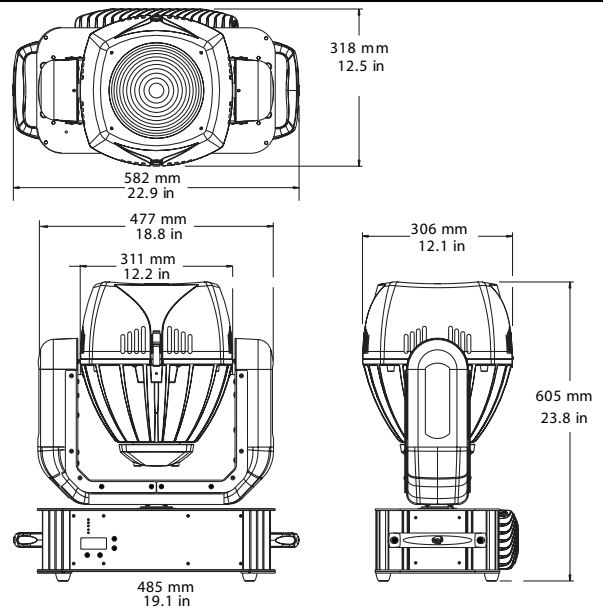
Mounting Information: Mount the Studio Color 575 fixture to a standard truss by attaching suitable clamps with locking washers through the center holes on the base.

Cheeseborough truss clamps and 1/2" nut/bolt sets may be purchased separately.

The fixture can also stand on its rubber feet on a sturdy, stable surface.

Colors Available: Black

Turning Radius: 476 mm (18.8 in)



ELECTRICAL SPECIFICATIONS/LIGHT SOURCE

Power Consumption: 100V 50/60HZ @ 7.0A
230V 50/60HZ @ 3.0A

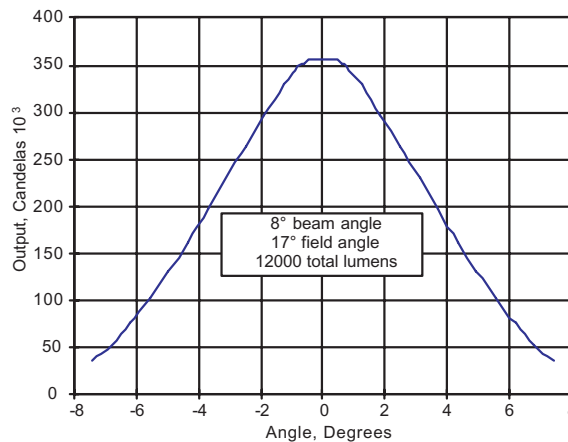
Rated Power: 700 W maximum

Power Factor: 0.96 @ 230V/50Hz
0.99 @ 100 V/60Hz

Lamp Options: MSR 575/2 or optional MSD
575 for longer lamp life

Lamp Specification:

Lamp	ColorTemp	Lamp Life	Light Output
MSR 575/2	6200K	500-750 hrs	12,000 lumens
MSD 575	5600K	3000 hrs	10,000 lumens



Center Beam Candela: 360,000

Beam Angle Degrees: 8

Field Angle Degrees: 17

$$\text{Illuminance} = \frac{\text{Candela}}{\text{Distance}^2}$$

Throw	Center Beam	Beam Diameter	Field Diameter
5	14,400	0.7	1.5
10	3,600	1.4	3.0
15	1,600	2.1	4.5
20	900	2.8	6.0
25	576	3.5	7.5
30	400	4.2	9.0
35	294	4.9	10.5
40	225	5.6	12.0
45	178	6.3	13.5
50	144	7.0	14.9
55	119	7.7	16.4
60	100	8.4	17.9
65	85	9.1	19.4
70	73	9.8	20.9
75	64	10.5	22.4
80	56	11.2	23.9
85	50	11.9	25.4
90	44	12.6	26.9
95	40	13.3	28.4
100	36	14.0	29.9

Note:

For Metric figures, read "Center Beam" values in lux, and the throw and diameters in meters.

For US figures, read "Center Beam" values in footcandles, and the throw and diameters in feet.

OPERATION

Pan: 370°

Tilt: 240°

Field Angle: 17°

Software Upgrades: Download operating software from the High End Systems website (www.highend.com) and upload using Echo Software.

Compliances: CE, CETL, and ETL compliant.

Environmental Specifications:

Maximum Ambient Temperature (T_a): 40°C (104°F)

Maximum winding temperature, T_w: 130°C (266°F)

Maximum Exterior Surface Temperature: 140°C (284°F)

Maximum Capacitor Temperature, T_c: 85°C (185°F)

PART NUMBERS

Fixture:

26010011 - Studio Color 575 Automated Wash Fixture, w/lamp

Accessories:

55040015 - Studio Color Snoot

99090075 - Studio Color PAR 64 Lens Set

Flight Cases:

26070000 - Road Case, Studio Beam, Dual Fixture

26070003 - Road Case, Studio Beam, Dual Fixture

Replacement Lamps:

55030050 - Studio Color 575 Replacement Lamp, Philips MSD 575

57555030052 - Studio Color Replacement Lamp, Philips MSR 575-2

DMX Control

Control Options: DMX-512, On Board Programming/Playback, Internal Effects

Address Methods: LED Display, Fixture Talkback

DMX/RDM Data Connectors: 3-pin male and female XLR connectors

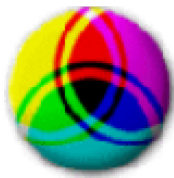
DMX Channels: 16

Fixtures per Universe: 36

Internal Preset Scene Memory: 1 bank, 16 scenes

DMX Channels

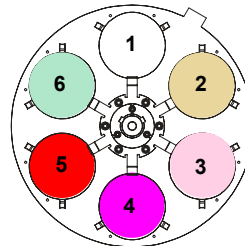
Channel	Function
1	Pan
2	
3	Tilt
4	
5	Color Functions
6	Color Wheel
7	Cyan Mix
8	Magenta Mix
9	Yellow Mix
10	Lens Wheel (Effects Wheel 1)
11	Frost Wheel (Effects Wheel 2)
12	Shutter
13	Dim
14	Motor Speed
15	Control
16	Checksum



Studio Beam features
CMY subtractive color mixing.

Color Wheel 1

Position	Description
1	Open
2	CTO
3	Pink
4	Magenta
5	Red
6	Aqua



Dichroic Glass Specifications

Diameter: 1.745in ± 0.010in
(44.323mm ± 0.25mm)

Thickness: 0.070in ± 0.010in
(1.778mm ± 0.25mm)

Effects Wheel 1

Position	Description
1	Open
2	Variable Wide Angle Lens
3	Narrow Horizontal Shaping Center Axis
4	Wide Vertical Shaping Center Axis

Effects Wheel 2

Position	Description
1	Open
2	Variable Frost Lens
3	Narrow Horizontal Shaping Center Axis
4	Wide Vertical Shaping Center Axis

© 2009, Barco Lighting Systems, Inc. All specifications subject to change without notice.

Barco Lighting Systems, Inc.

2105 Gracy Farms Lane
Austin, TX 78758 USA
voice:512.836.2242
fax:512.837.5290
Toll Free: 800.890.8989

Customer Service

2105 Gracy Farms Lane
Austin, TX 78758 USA
voice:800.890.8989
fax: 512.834.9195
Toll free: 800.890.8989